

SERVICE BULLETIN

SB No. 107 Issue No. 1

TITLE INSPECTION OF PILOTS MIXTURE LEVER

CLASSIFICATION

This Service Bulletin has been classified by SAL as Highly Recommended

COMPLIANCE Inspect i.a.w. this SB at next 150 flying hours and as required by paragraph 2.

APPLICABILITY:

T67M260 and T67M260-T3A.

INTRODUCTION:

When operating the mixture lever from the full rich position to the lean position, it was noticed that mixture lever could be pulled past its gate toward the cut off position.

Upon investigation it was noted that the aluminium alloy mixture lever had a groove worn into it, having been caused by the pedestal gate.

ACTION

1. Visually inspect mixture lever for a groove. Ref Fig 1 for position.
2.
 - i) If a groove is absent, monitor every 50 flying hours with reference to Action 2ii).
 - ii) If there is a groove and it is 5mm or less in length, on the side of the lever and/or the groove is to a depth of half thickness of the lever (1.4mm) or less - ref Fig. 1, Section A-A - the lever is to be changed at next 150 flying hours, either with a new existing aluminium lever T67G-50-553 or Mod M722, steel lever, to be invoked.

If a new aluminium lever T67G-50-553 is fitted, then re-inspect at next 150 flying hours, ref actions 2 i) and 2 ii).

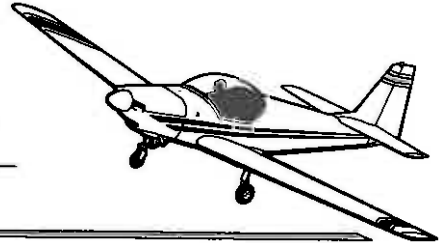
ISSUED BY:

Date 13.2.98.

 for and on behalf of **SLINGSBY AVIATION LIMITED**
 Kirkbymoorside, York YO6 6EZ, England

 Tel. 01751 432474
 Fax 01751 431173

Page 1 of 3

**SERVICE BULLETIN**

SB No.

107

Issue No.

1

TITLE

INSPECTION OF PILOTS MIXTURE LEVER

CONTINUED

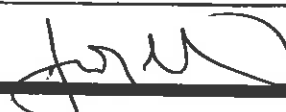
- iii) If there is a groove and its length is greater than 5mm and/or its depth is greater than half the levers width, then lever is to be changed at next 50 flying hours, either with a new existing aluminium lever T67G-50-553 or Mod M722, steel lever, to be invoked.

If new aluminium lever T67G-50-553 is fitted, then re-inspect at next 150 flying hours, ref actions 2 i) and ii).

3. Annotate aircraft log book "SB 107 complied with" on initial inspection and at each subsequent inspection, ref Actions until Mod M722 invoked.

Contact SAL Product Support Department for replacement lever T67G-50-553 or Mod M722 Mod Bulletin and Mod Kit.

Approved:



Date:

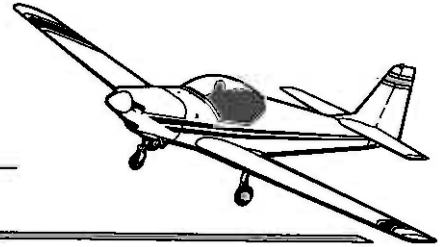
13.2.98.

Page

2

of

3



SERVICE BULLETIN

SB No.

107

Issue No.

1

TITLE

INSPECTION OF PILOTS MIXTURE LEVER

CONTINUED

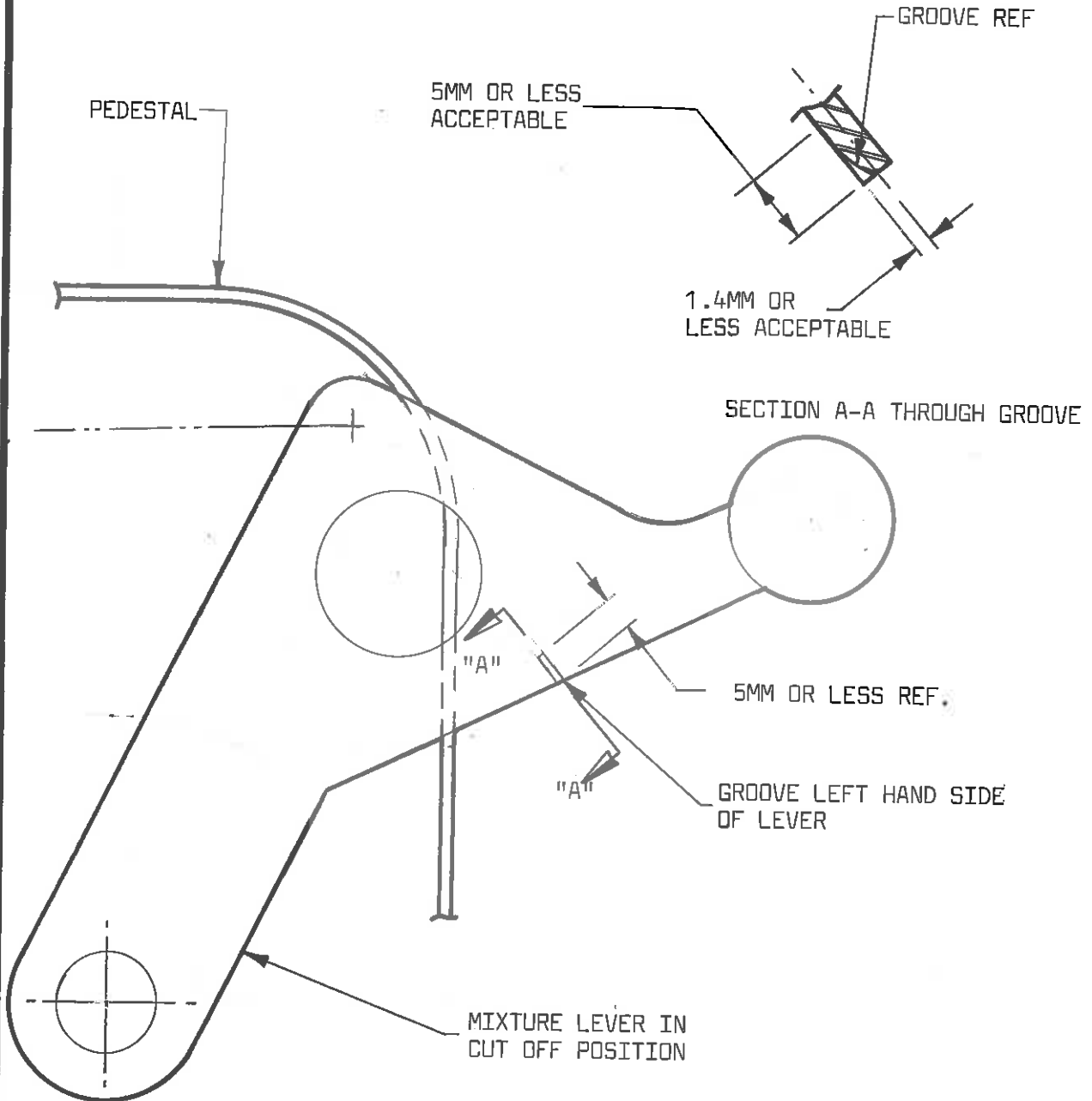


FIG 1
SHOWING POSITION OF GROOVE

Approved:

Date:

13.2.98.

Page

3

of

3