

# SERVICE BULLETIN

SB No. 94 Issue No. 1

**TITLE** INSPECTION OF ELEVATOR PUSHROD TO CONTROL COLUMN ASSEMBLY  
PIVOT BOLT TO SEAT CLEARANCE

**CLASSIFICATION**

This Service Bulletin has been classified as Mandatory by the CAA

**COMPLIANCE** A. Within 5 flying hours if rubbing is occurring  
B. Within 50 flying hours

**APPLICABILITY:**

T67M260-T3A Pre Mod M695 aircraft.

**INTRODUCTION:**

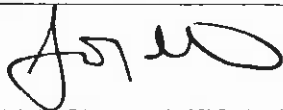
A case has been reported of the elevator pushrod to control column assy pivot bolt tail, rubbing the right hand seat.

**ACTION**

1. Compliance A: Check if bolt is rubbing, if so proceed as per paragraph 4.
2. Compliance B: Remove centre console and check bolt tail or bolt head to seat side clearance Ref Fig. 1. Clearance to be a minimum of 1.5mm.
3. If clearance is 1.5mm or more, annotate logbook SB 94 complied with.
4. If clearance is less than 1.5mm then proceed as follows:
  - i. Remove right hand seat.
  - ii. Remove bolt.
  - iii. Obtain new bolt 126-21-211 and assemble with head to R.H. side, Ref Fig. 2.
  - iv. Reassemble seat and console.
  - v. Annotate in logbook SB 94 complied with and Mod M695 incorporated.

Bolt 126-21-211 may be obtained from SAL Product Support Department.

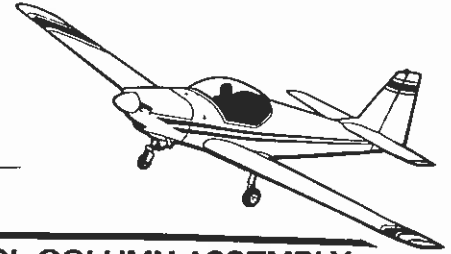
**ISSUED BY:**



Date 5. 7. 96

for and on behalf of SLINGSBY AVIATION LIMITED  
Kirkbymoorside, York YO6 6EZ England Tel 0751 32474 Telex 57597

Page 1 of 2



**SERVICE BULLETIN**

SB No. 94 Issue No. 1

**TITLE INSPECTION OF ELEVATOR PUSHROD TO CONTROL COLUMN ASSEMBLY PIVOT BOLT TO SEAT CLEARANCE**

CONTINUED

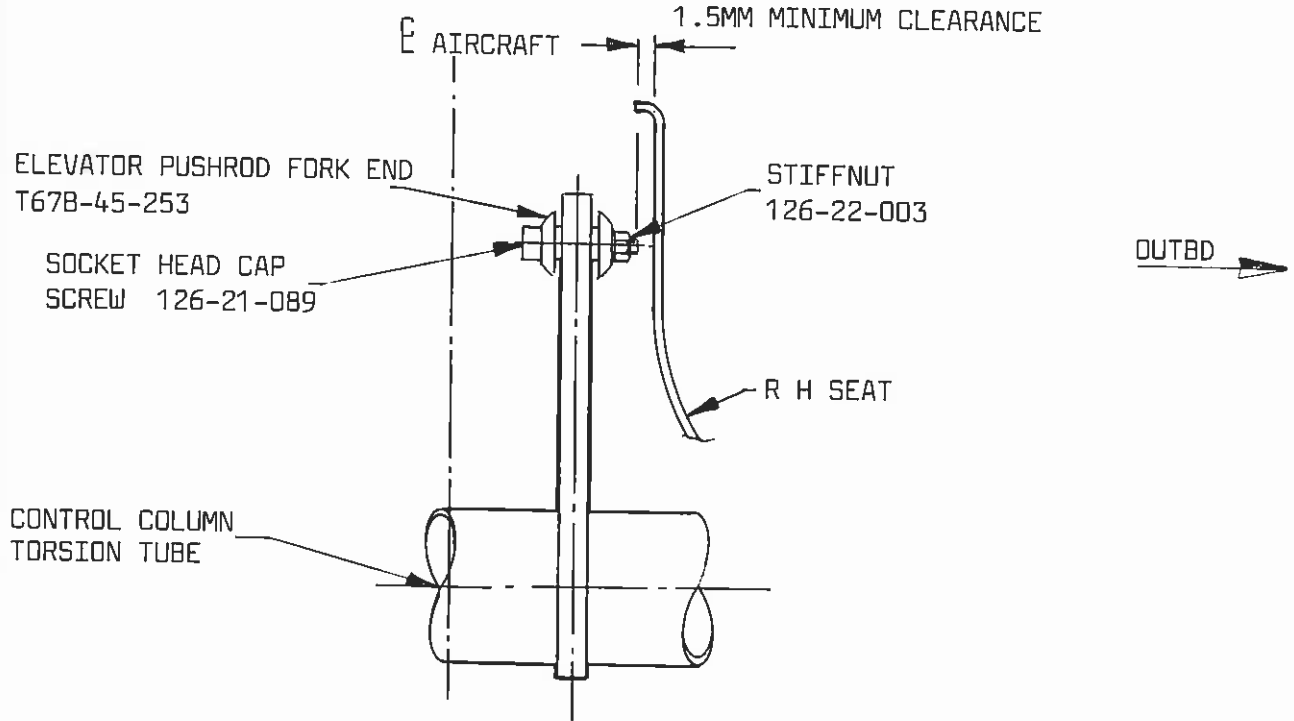


FIG 1  
VIEW LOOKING FORWARD

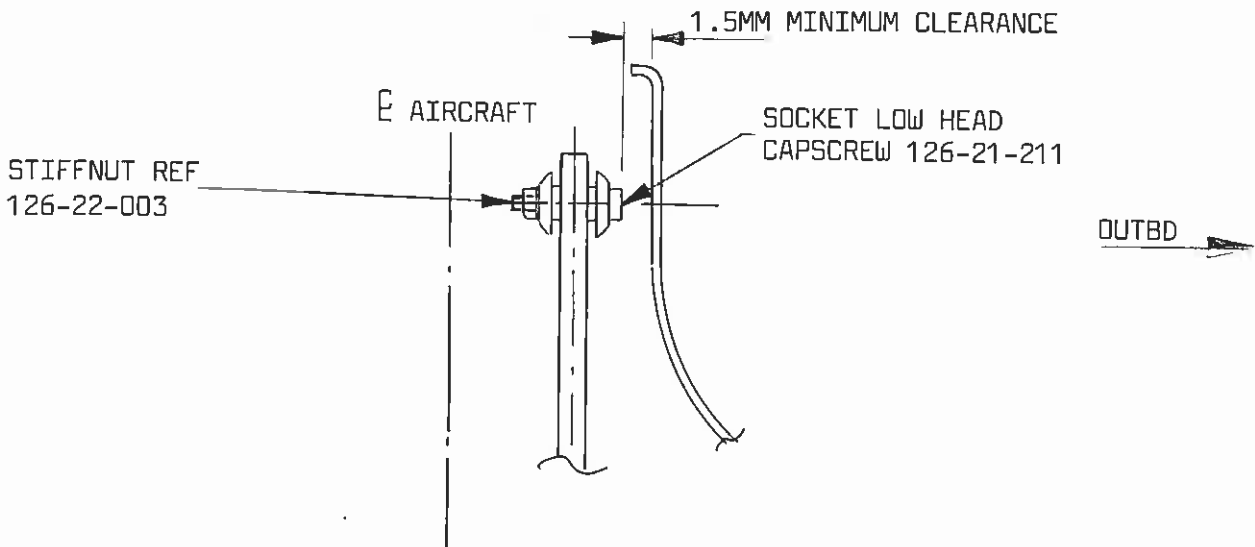


FIG 2  
MOD M695 INVOKED  
VIEW LOOKING FORWARD

Approved:

*[Handwritten Signature]*

Date:

5.7.96.

Page

2

of

2