

SERVICE BULLETIN

SB No. 88 Issue No. 1

TITLE

RUDDER PEDAL TO MIXTURE LEVER POTENTIAL FOUL

CLASSIFICATION

This Service Bulletin has been classified as Mandatory by the CAA

COMPLIANCE

Within next 50 flying hours

APPLICABILITY:

T67M260 and T67M260-T3A aircraft Pre Mod M687 standard.

INTRODUCTION:

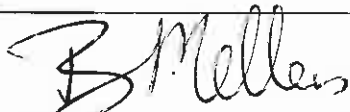
A case has occurred whereby the pilots left hand pedal (No.3 position) has fouled the mixture lever and prop speed/mixture support bracket during ground operations.

ACTION

1. With R.H. pilots pedals adjusted fully aft, WITH neutral rudder applied, apply brake together with a left hand side force on the pedal, set mixture lever in fully rich position. Check pilots left hand pedal (pedal No.3) clearance with mixture lever. Refer to Fig. 1.
 - 1.1 If there is a foul, or if clearance is less than 3mm invoke Mod M687A and B.
 - 1.2 If there is a clearance of 3mm or more refer paragraph 3.
2. With R.H. pilots left pedal (Pedal No.3) adjusted fully forward, with left rudder applied, apply brake together with a left hand side force on the pedal. Check for clearance on mixture/prop speed cable support bracket, ref Fig. 2.
 - 2.1 If there is a foul or if clearance is less than 3mm invoke Mod M687 A and B.
 - 2.2 If there is a clearance of 3mm or more, refer to paragraph 3.
3. If clearances are met, ref paragraphs 1.2 and 2.2, annotate Log Book "SB 88 complied with". If only criteria in paragraph 1.1 or 2.1 met, then Mod M687 A and/or B should be carried out before further flight.

Mod M687 Mod Kit and Bulletin can be obtained from SAL Product Support Department.

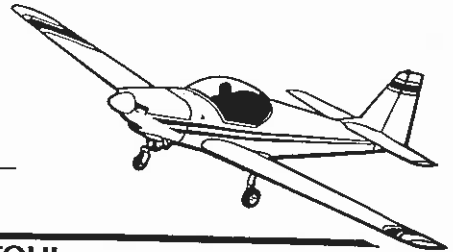
ISSUED BY:



Date 29-8-96

for and on behalf of SLINGSBY AVIATION LIMITED Tel. 01751 432474
Kirkbymoorside, York YO6 6EZ, England Fax 01751 431173

Page 1 of 3



SERVICE BULLETIN

SB No. 88 Issue No. 1

TITLE RUDDER PEDAL TO MIXTURE LEVER POTENTIAL FOUL

CONTINUED

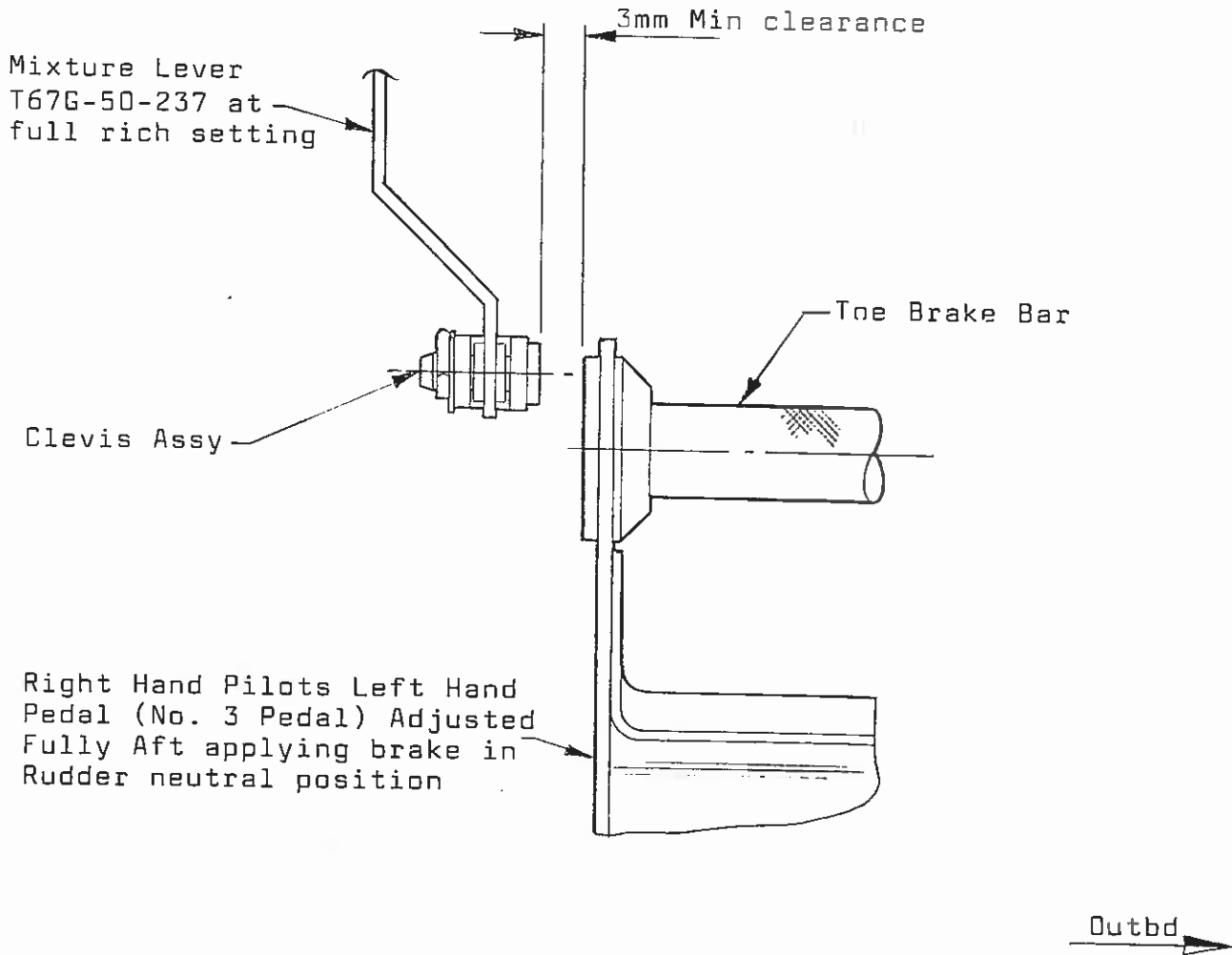


Fig 1
View looking forward onto No. 3
Rudder Pedal

Approved:

B. Miller

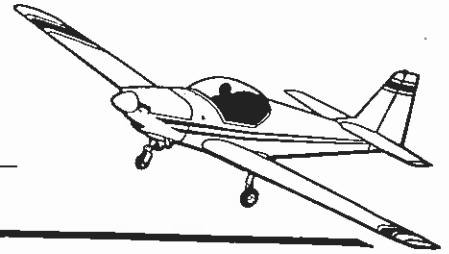
Date: 29-8-96

Page

2

of

3



SERVICE BULLETIN

SB No. 88 Issue No. 1

TITLE

RUDDER PEDAL TO MIXTURE LEVER POTENTIAL FOUL

CONTINUED

MIXTURE/PROP SPEED SUPPORT
BRACKET T67G-50-609 MOUNTED
UNDER FRAME 2

3MM MIN CLEARANCE

TOE BRAKE BAR

PROPSPEED CABLE
REF

MIXTURE CABLE REF

RIGHT HAND PILOTS LEFT HAND PEDAL (NO. 3) ADJUSTED
FULLY FORWARD APPLYING BRAKE IN RUDDER FULL LEFT
DEFLECTION

OUTBD

FIG 2
VIEW LOOKING FORWARD ONTO NO. 3 RUDDER PEDAL

Approved:

B. Mellers

Date: 29-8-96

Page 3 of 3